



Year 8 HOME LEARNING

Week 2 Lesson 1

Subject: Number

Time to complete: 50 minutes

Learning Objective: To understand and use Roman Numerals

The answers to the questions are included at the bottom. We would like the students to self-mark their work. This is a very valuable learning tool as it gives pupils immediate feedback and encourages independence and ownership over their learning. Please send your work in when you have marked it, showing any corrections that you have made.

Mrs Shaw

Lesson 1

Watch the video on Roman Numerals. Using what you have learnt, complete the questions below.

<https://vimeo.com/457420876>

1 Complete the tables.

10		30	40	50	60		80	90	100
X	XX		XL	L		LXX			C

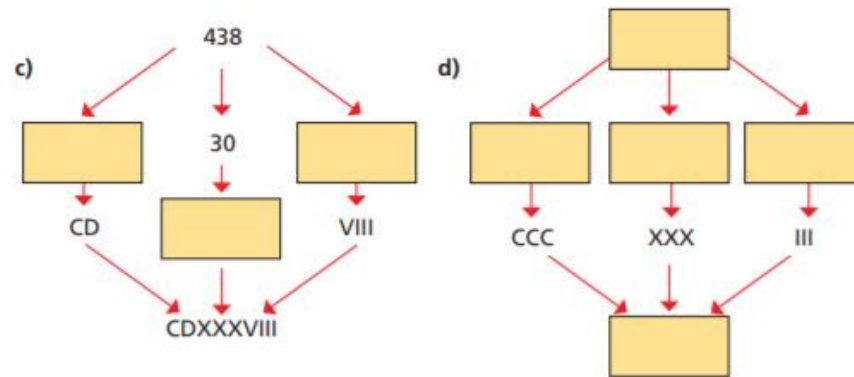
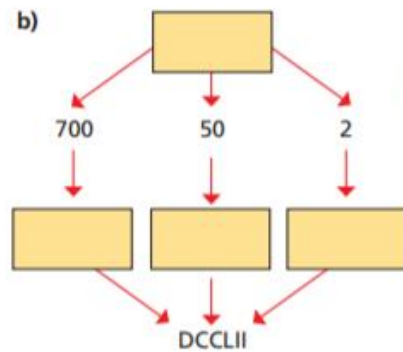
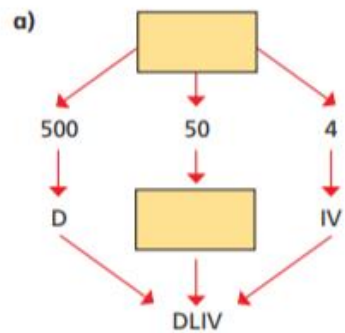
100	200	300	400		600	700		900	1,000
		CCC		D	DC		DCCC		M

2



What year is shown at the end of the film?

3 Write the numerals and Roman numerals to complete the diagrams.



4 Dora and Amir are writing 520 in Roman numerals.



Amir



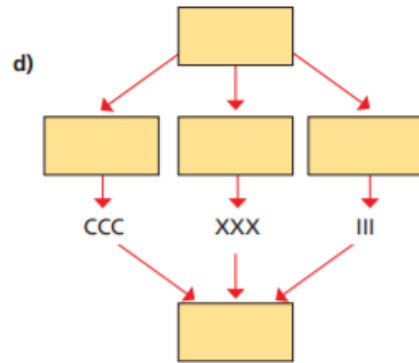
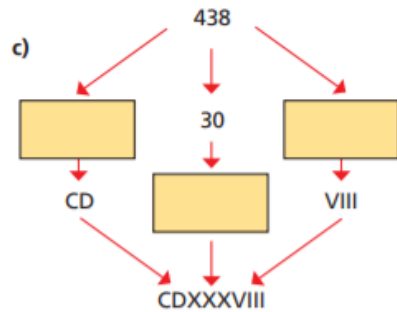
Dora

a) Who is correct?

b) What mistake has the other person made?

5 Complete the table.

Numerals	Words	Roman numerals
52		
	six hundred and thirty-five	
		CMXCI
	four hundred and seven	
		DCCCXXXIX



4 Dora and Amir are writing 520 in Roman numerals.



Amir

DXX

VCXX



Dora

a) Who is correct?

b) What mistake has the other person made?

5 Complete the table.

Numerals	Words	Roman numerals
52		
	six hundred and thirty-five	
		CMXCI
	four hundred and seven	
		DCCCXXXIX

6 Match the calculations to the answers.

XXVII + III

D - XXX

M ÷ D

DCCC - CC

L × VII

CDLXX

DC

CCCL

XXX

II

7 Complete the sequences.

a) V, X, , XX, , XXX, ,

b) C, CL, , CCL, CCC, , ,

c) X, XX, XXX, , , LX, ,

d) III, , IX, , XV, XVIII, ,

8 a) What month is shown?

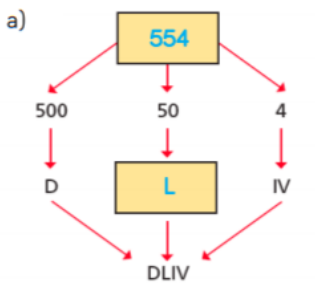
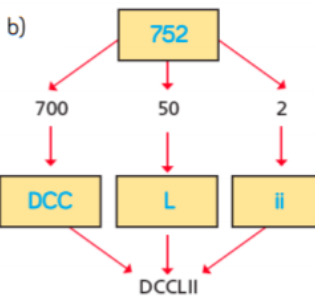
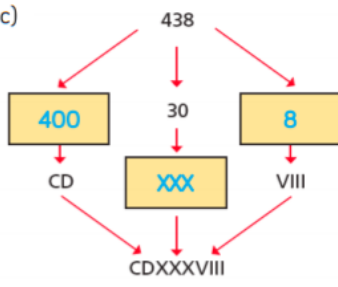
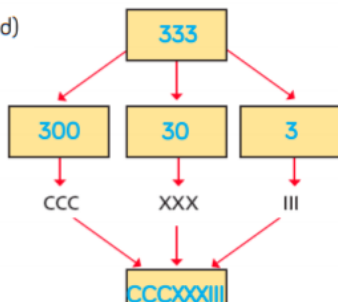
b) What year is shown?

c) Write today's date in Roman numerals.

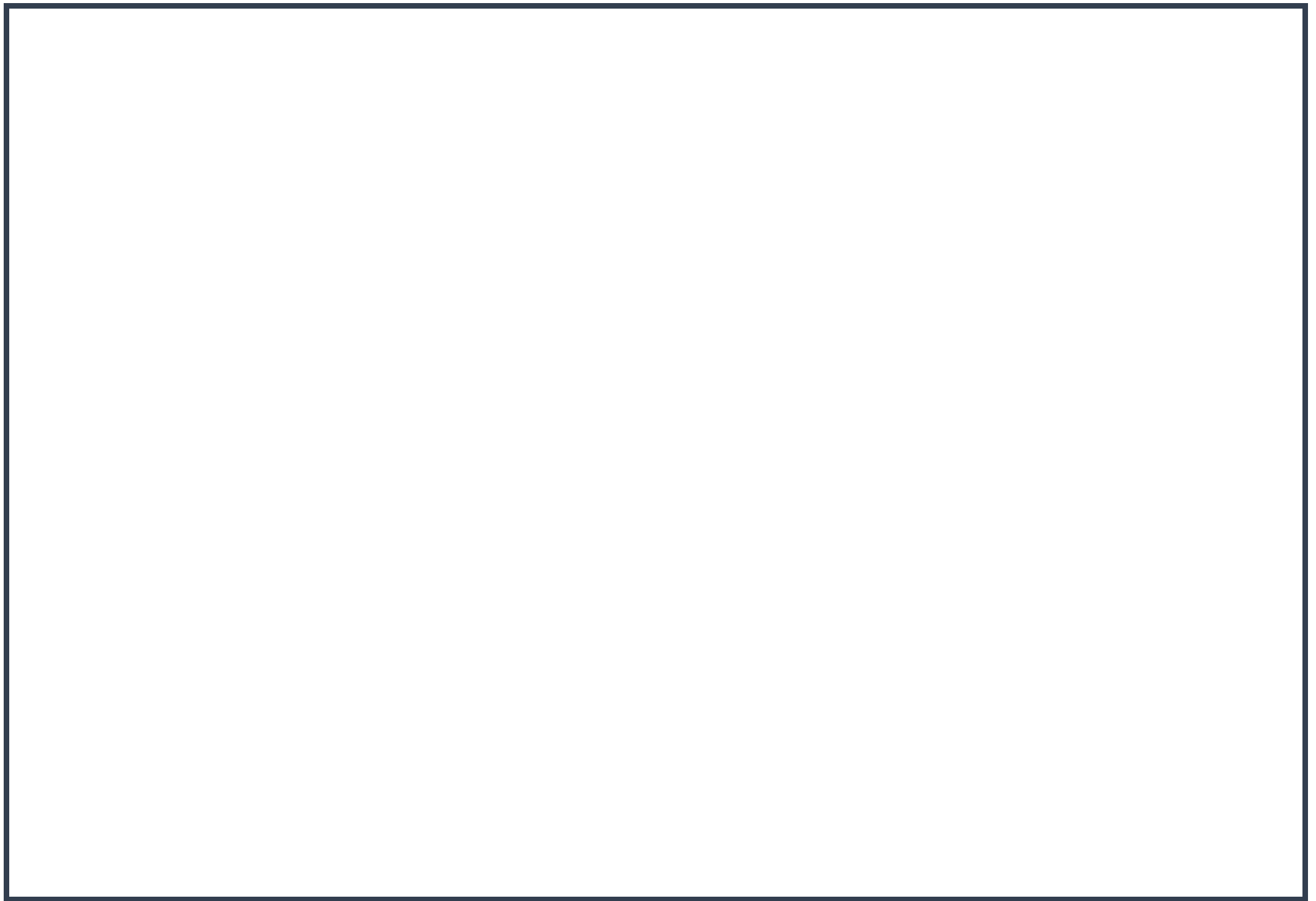
Day Month Year

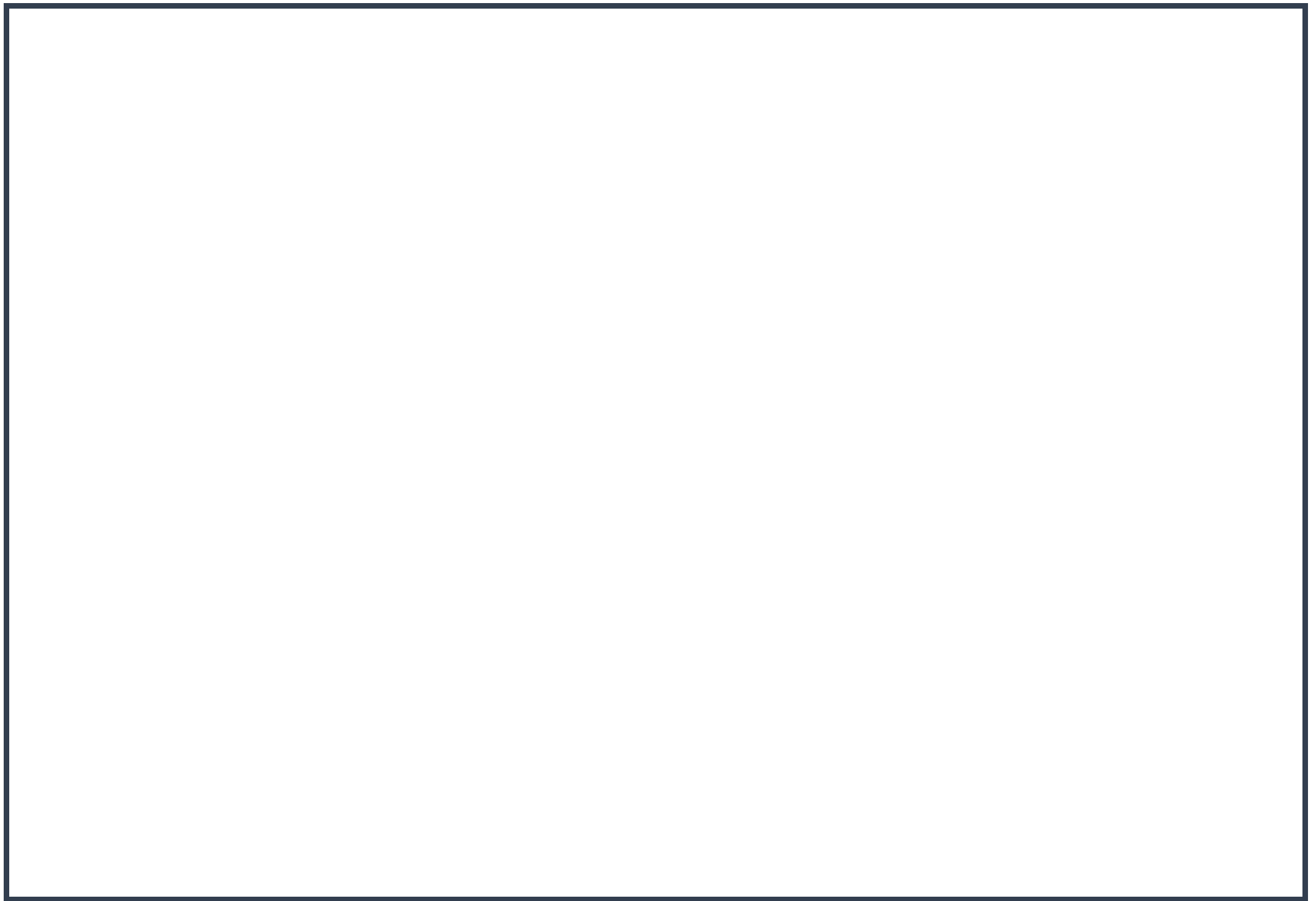
XI / V / MCMLXXXVI

Answers:

Question	Answer																																								
1	<table border="1"> <tr> <td>10</td> <td>20</td> <td>30</td> <td>40</td> <td>50</td> <td>60</td> <td>70</td> <td>80</td> <td>90</td> <td>100</td> </tr> <tr> <td>X</td> <td>XX</td> <td>XXX</td> <td>XL</td> <td>L</td> <td>LX</td> <td>LXX</td> <td>LXXX</td> <td>XC</td> <td>C</td> </tr> </table> <table border="1"> <tr> <td>100</td> <td>200</td> <td>300</td> <td>400</td> <td>500</td> <td>600</td> <td>700</td> <td>800</td> <td>900</td> <td>1,000</td> </tr> <tr> <td>C</td> <td>CC</td> <td>CCC</td> <td>CD</td> <td>D</td> <td>DC</td> <td>DCC</td> <td>DCCC</td> <td>CM</td> <td>M</td> </tr> </table>	10	20	30	40	50	60	70	80	90	100	X	XX	XXX	XL	L	LX	LXX	LXXX	XC	C	100	200	300	400	500	600	700	800	900	1,000	C	CC	CCC	CD	D	DC	DCC	DCCC	CM	M
10	20	30	40	50	60	70	80	90	100																																
X	XX	XXX	XL	L	LX	LXX	LXXX	XC	C																																
100	200	300	400	500	600	700	800	900	1,000																																
C	CC	CCC	CD	D	DC	DCC	DCCC	CM	M																																
2	2012																																								
3	<p>a) </p> <p>b) </p> <p>c) </p> <p>d) </p>																																								
4	<p>a) Amir</p> <p>b) Dora has written VC directly from 'five hundred', i.e. V = 5 and C = 100 However, five hundred has its own Roman numeral, D</p>																																								

Question	Answer																		
	<table border="1"> <thead> <tr> <th>Numerals</th> <th>Words</th> <th>Roman numerals</th> </tr> </thead> <tbody> <tr> <td>52</td> <td>fifty-two</td> <td>LII</td> </tr> <tr> <td>635</td> <td>six hundred and thirty-five</td> <td>DCXXXV</td> </tr> <tr> <td>991</td> <td>nine hundred and ninety-one</td> <td>CMXCI</td> </tr> <tr> <td>407</td> <td>four hundred and seven</td> <td>CDVII</td> </tr> <tr> <td>839</td> <td>eight hundred and thirty-nine</td> <td>DCCCXXXIX</td> </tr> </tbody> </table>	Numerals	Words	Roman numerals	52	fifty-two	LII	635	six hundred and thirty-five	DCXXXV	991	nine hundred and ninety-one	CMXCI	407	four hundred and seven	CDVII	839	eight hundred and thirty-nine	DCCCXXXIX
Numerals	Words	Roman numerals																	
52	fifty-two	LII																	
635	six hundred and thirty-five	DCXXXV																	
991	nine hundred and ninety-one	CMXCI																	
407	four hundred and seven	CDVII																	
839	eight hundred and thirty-nine	DCCCXXXIX																	
6	<p> $XXVII + III$ $CDLXX$ $D - XXX$ DC $M \div D$ $CCCL$ $DCCC - CC$ XXX $L \times VII$ II </p>																		
7	<ul style="list-style-type: none"> a) XV, XXV, XXXV, XL b) CC, CCCL, CD, CDL c) XL, L, LXX, LXXX d) VI, XII, XXI, XIV 																		
8	<ul style="list-style-type: none"> a) May b) 1986 c) date the question is used in Roman numerals 																		





Answers:

Save your work:

If you are using a computer, open a blank document to do your work (you can use Word or Publisher). Don't forget to SAVE it with your name, the lesson you are doing and the date.

For example: T.Smith Maths 8 April

If you would like us to see or mark your work please email it or send a photo of your completed work to:

Mrs Shaw: ishaw.305@glebe.bromley.sch.uk

Thank you